

## SMT POWER INDUCTORS - SDB1204 SERIES

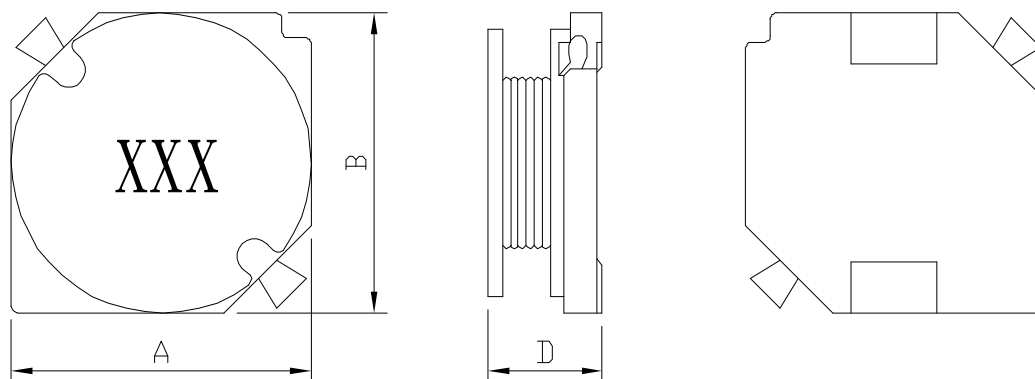


### PART NUMBERING SYSTEM

<b>SDB</b>	<b>1204</b>	—	<b>101K</b>	—	<b>LF</b>
TYPE	DIMENSIONS		INDUCTANCE		LEAD FREE

### SHAPES AND DIMENSIONS

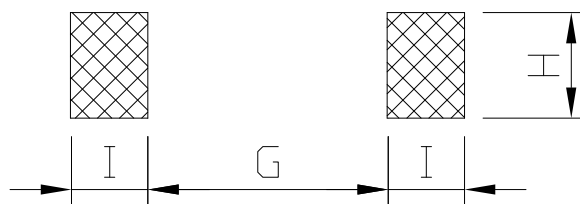
UNIT : mm



A=13.0 Max. B=13.0 Max. D=5.1 Max.

### PCB LAYOUT

UNIT : mm



G=8.4 Ref. H=3.6 Ref. I=2.6 Ref.

### FEATURES

- Size : 13x13mm Max. square and 5.1mm Max . ( Ht )
- 2.5  $\mu$ H part handles 8 Amps of saturating current!
- Ideal for Power supplies of portable communication equipment ,LCD TV's , Car radio's .
- RoHS-compliant. 260°C compatible. Silver-palladium-platinum-glass frit terminations

## SPECIFICATION TABLE

PART NUMBER	INDUCTANCE (μH)	DCR (mΩ) (Max.)	Isat (A) (Max.)	Irms(A) (Max.)	SRF(MHz) (Min.)	TEST FREQ. (Freq.)
SDB1204-2R5P-LF	2.5±25%	9.80	8.0	7.2	61	7.96
SDB1204-3R5P-LF	3.5±25%	10.5	7.0	6.0	43	7.96
SDB1204-4R6P-LF	4.6±25%	16.5	6.0	5.2	35	7.96
SDB1204-6R8P-LF	6.8±25%	24.0	5.2	4.3	32	7.96
SDB1204-100M-LF	10±20%	37.0	4.4	3.6	27	2.52
SDB1204-150M-LF	15±20%	46.0	3.7	3.3	24	2.52
SDB1204-220M-LF	22±20%	62.0	3.0	2.9	20	2.52
SDB1204-330M-LF	33±20%	85.0	2.6	2.5	16	2.52
SDB1204-470M-LF	47±20%	130	2.0	1.9	13	2.52
SDB1204-680M-LF	68±20%	165	1.8	1.65	11	2.52
SDB1204-101K-LF	100±10%	255	1.4	1.4	11	0.796
SDB1204-151K-LF	150±10%	380	1.15	1.2	8	0.796
SDB1204-221K-LF	220±10%	500	0.95	1.0	7	0.796
SDB1204-331K-LF	330±10%	700	0.80	0.85	6	0.796
SDB1204-471K-LF	470±10%	1150	0.70	0.67	4	0.796
SDB1204-681K-LF	680±10%	1400	0.58	0.60	3.5	0.796
SDB1204-102K-LF	1000±10%	2350	0.47	0.46	2.7	0.252

- Isat : DC current at which the inductance drops 25% (typ) from its value without current.
- Irms: The actual current when temperature of coil becomes Δ40°C . ( Ta=+25°C )
- Operating temperature range -40°C to +125°C .
- Electrical specifications at 25°C.
- Reel Qty 600pcs
- Halogen free available
- Moisture sensitivity Level 1 (MSL 1)
- Custom versions available
- Flat top for reliable surface mounting